

red ipn®



AFCM

Universal I/f converter

Model No. AFCM0001

Drawing No. LP1102

Version No. 101

Revision Date 19/06



UNIVERSAL I/f CONVERTER

AFCM

CONTENTS

Warning.....	4
Symbol identification	5
Safety instructions.....	5
How to dismantle the device.....	7
Advanced features	8
Application.....	8
Technical characteristics.....	8
PGM Display / programmer front.....	9
Mounting / demounting the PGMMOD.....	10
Applications.....	11
Electrical specifications.....	12
Configuration of sensor error detection.....	16
Display readout on the PGM	16
Display outside range.....	16
Sensor error detection limits.....	17
Signal conditioning limits	17
Error indications.....	17
Connections	18
Block diagram.....	19
Configuration / operating the function keys.....	20
Routing diagram.....	23
Routing diagram, Advanced settings (ADV.SET).....	26
Scrolling help text in display line 3.....	27
Ordering information	28



GENERAL

WARNING

This device is designed for connection to hazardous electric voltages. Ignoring this warning can result in severe personal injury or mechanical damage. To avoid the risk of electric shock and fire, the safety instructions of this manual must be observed and the guidelines followed. The specifications must not be exceeded, and the device must only be applied as described in the following. Prior to the commissioning of the device, this manual must be examined carefully. Only qualified personnel (technicians) should install this device. If the equipment is used in a manner not specified by the manufacturer, the protection provided by the equipment may be impaired.



**HAZARDOUS
VOLTAGE**

WARNING

Until the device is fixed, do not connect hazardous voltages to the device.

The following operations should only be carried out on a disconnected device and under ESD safe conditions:

General mounting, connection and disconnection of wires.
Troubleshooting the device.



Repair of the device must be done by Red Lion Controls only.



**INSTAL-
LATION**

WARNING

The device must be mounted on a DIN rail according to DIN 46277.



WARNING

Do not open the front plate of the device as this will cause damage to the connector for the display / programming front PGM. This device contains no DIP-switches or jumpers.

SYMBOL IDENTIFICATION



Triangle with an exclamation mark: Warning / demand.
Potentially lethal situations.



The CE mark proves the compliance of the device with the essential requirements of the directives.



The double insulation symbol shows that the device is protected by double or reinforced insulation.

SAFETY INSTRUCTIONS

DEFINITIONS

Hazardous voltages have been defined as the ranges: 75 to 1500 Volt DC, and 50 to 1000 Volt AC.

Technicians are qualified persons educated or trained to mount, operate, and also troubleshoot technically correct and in accordance with safety regulations.

Operators, being familiar with the contents of this manual, adjust and operate the knobs or potentiometers during normal operation.

RECEIPT AND UNPACKING:

Unpack the device without damaging it. The packing should always follow the device until this has been permanently mounted. Check at the receipt of the device whether the type corresponds to the one ordered.

ENVIRONMENT

Avoid direct sunlight, dust, high temperatures, mechanical vibrations and shock, as well as rain and heavy moisture. If necessary, heating in excess of the stated limits for ambient temperatures should be avoided by way of ventilation.

All devices fall under Installation Category II, Pollution Degree 1, and Insulation Class II.

MOUNTING

Only technicians who are familiar with the technical terms, warnings, and instructions in the manual and who are able to follow these should connect the device.

Should there be any doubt as to the correct handling of the device, please contact your local distributor or, alternatively,

Red Lion Controls
www.redlion.net

Mounting and connection of the device should comply with national legislation for mounting of electric materials, i.a. wire cross section, protective fuse, and location. Descriptions of input / output and supply connections are shown in the block diagram and side label.

The following apply to fixed hazardous voltages-connected devices:

The max. size of the protective fuse is 10 A and, together with a power switch, it should be easily accessible and close to the device. The power switch should be marked with a label indicating that it will switch off the voltage to the device.

Year of manufacture can be taken from the first two digits in the serial number.

UL INSTALLATION REQUIREMENTS

Use 60/75°C copper conductors only.

For use only in pollution degree 2 or better.

Max. ambient temperature 60°C

Max. wire size..... AWG 26-14

UL file number E324843

CALIBRATION AND ADJUSTMENT

During calibration and adjustment, the measuring and connection of external voltages must be carried out according to the specifications of this manual. The technician must use tools and instruments that are safe to use.

NORMAL OPERATION

Operators are only allowed to adjust and operate devices that are safely fixed in panels, etc., thus avoiding the danger of personal injury and damage. This means there is no electrical shock hazard, and the device is easily accessible.

CLEANING

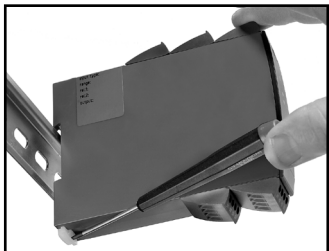
When disconnected, the device may be cleaned with a cloth moistened with distilled water.

LIABILITY

To the extent that the instructions in this manual are not strictly observed, the customer cannot advance a demand against Red Lion Controls that would otherwise exist according to the concluded sales agreement.

HOW TO DISMANTLE THE DEVICE

First, remember to demount the connectors with hazardous voltages.



Picture 1:
Detach the device from the DIN rail
by lifting the bottom lock.

UNIVERSAL I/f CONVERTER AFCM

- *Input for RTD, TC, Ohm, potentiometer, mA and V*
- *Frequency output NPN, PNP and TTL*
- *Generates frequencies from 0.001...25000 Hz*
- *2-wire supply > 16 V*
- *Universal AC or DC supply*

Advanced features

- Programmable by way of detachable display front (PGM), process calibration, signal simulation, password protection, error diagnostics and help text available in several languages.

Application

- Linearised, electronic temperature measurement with RTD or TC sensor.
- Conversion of linear resistance variation to a frequency signal, e.g. from solenoids and butterfly valves or linear movements with attached potentiometer.
- Power supply and signal isolator for 2-wire transmitters.
- Process control by way of a frequency signal transmitted to e.g. a PLC or a process computer.
- Galvanic separation and conversion of analogue signals to frequency signals.

Technical characteristics

- When AFCM is used in combination with the PGM display / programmer front, all operational parameters can be modified to suit any application. As the AFCM is designed with electronic hardware switches, it is not necessary to open the device for setting of DIP-switches.
- A green front LED indicates normal operation.
- Continuous check of vital stored data for safety reasons.
- 3-port 2.3 kVAC galvanic isolation.

PGM DISPLAY / PROGRAMMER FRONT

- PGMMOD00 - Programming Module
- PGMMODC1 - Program/Comms Module



Functionality

The simple and easily understandable menu structure and the explanatory help texts guide you effortlessly and automatically through the configuration steps, thus making the product very easy to use. Functions and configuration options are described in the section "Configuration / operating the function keys".

PGMMOD00

Application

- Communications interface for modification of operational parameters in AFCM.
- Can be moved from one AFCM device to another and download the configuration of the first converter to subsequent converters.
- Fixed display for readout of process data and status.

Technical characteristics

- LCD display with 4 lines; line 1 (H = 5.57 mm) shows input signal, line 2 (H = 3.33 mm) shows units. Line 3 alternates between digital output value and scaling (kHz, Hz, mHz, P/m, P/h, P/d) or shows TAG no. Line 4 shows tendency readout for the input signal and communication status.
- Programming access can be blocked by assigning a password. The password is saved in the converter in order to ensure a high degree of protection against unauthorised modifications to the configuration.

Mounting / installation

- Click PGM onto the front of AFCM.

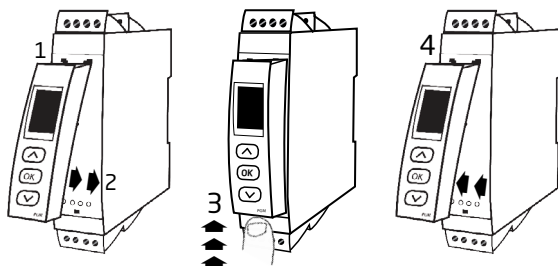
MOUNTING / DEMOUNTING THE PGMMOD

1: Insert the tabs of PGMMOD into the holes at the top of the device.

2: Swing PGMMOD into place.

Demounting of PGMMOD

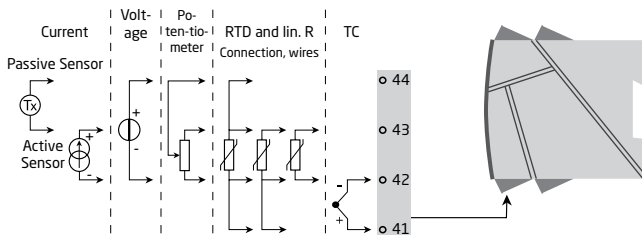
3: Push the release button on the bottom of PGMMOD and swing PGMMOD up.



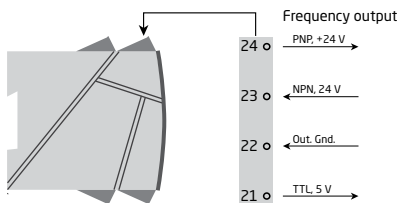
PGMMOD00 shown, PGMMODC1 connects and disconnects in the same way.

APPLICATIONS

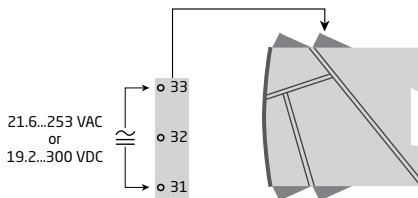
Input signals:



Output signals:



Supply:



Electrical specifications

Specifications range	-20°C to +60°C
Calibration temperature	20...28°C
Relative humidity.....	< 95% RH (non-cond.)
Protection degree.....	IP20

Mechanical specifications

Dimensions (HxBxD)	109 x 23.5 x 104 mm
Dimensions, with PGMMOD (HxBxD)	109 x 23.5 x 116 / 131 mm
Weight	155 g
Weight with PGMMOD.....	170 g / 255 g
Max. wire size.....	1 x 2.5 mm ² stranded wire
Screw terminal torque	0.5 Nm

Common specifications

Supply voltage, universal	21.6...253 VAC, 50...60 Hz or 19.2...300 VDC
Max. consumption.....	≤ 2.5 W
Fuse.....	400 mA SB / 250 VAC
Isolation voltage, test / operation	2.3 kVAC / 250 VAC
Communications interface	Communication enabler PGMMODC1
Signal / noise ratio	Min. 60 dB (0...100 kHz)
Response time (0...90%, 100...10%), programmable:	
Temperature input.....	1...60 s
mA / V input.....	0,4...60 s

Accuracy, the greater of the general and basic values:

General values		
Input type	Absolute accuracy	Temperature coefficient
All	≤ ±0.1% of span	≤ ±0.01% of span / °C

Basic values		
Input type	Basic accuracy	Temperature coefficient
mA	$\leq \pm 4 \mu\text{A}$	$\leq \pm 0.4 \mu\text{A} / ^\circ\text{C}$
Volt	$\leq \pm 20 \mu\text{V}$	$\leq \pm 2 \mu\text{V} / ^\circ\text{C}$
Pt100	$\leq \pm 0.2^\circ\text{C}$	$\leq \pm 0.01^\circ\text{C} / ^\circ\text{C}$
Linear resistance	$\leq \pm 0.1 \Omega$	$\leq \pm 0.01 \Omega / ^\circ\text{C}$
Potentiometer	$\leq \pm 0.1 \Omega$	$\leq \pm 0.01 \Omega / ^\circ\text{C}$
TC type: E, J, K, L, N, T, U	$\leq \pm 1^\circ\text{C}$	$\leq \pm 0.05^\circ\text{C} / ^\circ\text{C}$
TC type: B, R, S, W3, W5, LR	$\leq \pm 2^\circ\text{C}$	$\leq \pm 0.2^\circ\text{C} / ^\circ\text{C}$

EMC immunity influence	$< \pm 0.5\%$ of span
Extended EMC immunity: NAMUR NE 21, A criterion, burst	$< \pm 1\%$ of span

Auxiliary supplies:

2-wire supply (terminal 44...43)..... 25...16 VDC / 0...20 mA

RTD, linear resistance and potentiometer input:

Input for RTD types:

Pt10, Pt20, Pt50, Pt100, Pt200, Pt250, Pt300, Pt400, Pt500, Pt1000
Ni50, Ni100, Ni120, Ni1000

Input type	Min. value	Max. value	Standard
Pt100	-200°C	+850°C	IEC60751
Ni100	-60°C	+250°C	DIN 43760
Lin. resistance	0 Ω	10000 Ω	-
Potentiometer	10 Ω	100 k Ω	-

Cable resistance per wire (max.), RTD..... 50 Ω

Sensor current, RTD..... Nom. 0.2 mA

Effect of sensor cable resistance

(3- / 4-wire), RTD..... $< 0.002 \Omega / \Omega$

Sensor error detection, RTD..... Yes

Short circuit detection, RTD..... $< 15 \Omega$

TC input

Type	Min. value	Max. value	Standard
B	+400°C	+1820°C	IEC 60584-1
E	-100°C	+1000°C	IEC 60584-1
J	-100°C	+1200°C	IEC 60584-1
K	-180°C	+1372°C	IEC 60584-1
L	-200°C	+900°C	DIN 43710
N	-180°C	+1300°C	IEC 60584-1
R	-50°C	+1760°C	IEC 60584-1
S	-50°C	+1760°C	IEC 60584-1
T	-200°C	+400°C	IEC 60584-1
U	-200°C	+600°C	DIN 43710
W3	0°C	+2300°C	ASTM E988-90
W5	0°C	+2300°C	ASTM E988-90
LR	-200°C	+800°C	GOST 3044-84

Cold junction compensation (CJC)

via internally mounted sensor < ± 1.0 °C

Sensor error detection, all TC types..... Yes

Sensor error current:

when detecting..... Nom. 2 μ A

else 0 μ A

Current input

Measurement range..... -1...25 mA

Programmable measurement ranges..... 0...20 and 4...20 mA

Input resistance..... Nom. 20 Ω + PTC 50 Ω

Sensor error detection:

loop break 4...20 mA Yes

Voltage input:

Measurement range..... -20 mV...12 VDC

Programmable measurement ranges..... 0...1 / 0.2...1 / 0...2.5 / 0.5...2.5 /
0...5 / 1...5 / 0...10 and 2...10 VDC

Input resistance..... Nom. 10 M Ω

Output

Frequency output

Frequency range 0...25000 Hz

Min. frequency (span) 0.001 Hz

Duty cycle (0...25000 Hz) 50% or

Programmable pulse time ($f \leq 500$ Hz) 1...1000 ms (max. 90% duty cycle)

PNP output

I _{out} max.....	30 mA
V _{out}	24 VDC ± 10%
C _{out}	10 nF
R _{out} typ.....	20 Ω
Electromechanical counter.....	24 V / 135 mA / 20 ms / ≤ 10 Hz

NPN output

I _{sink} max.....	150 mA
I _{sink} max. peak.....	300 mA
External voltage (terminal 23) max.....	55 VDC
C _{out}	10 nF
R _{out} typ.....	10 Ω

TTL output

I _{sink/source} max.....	15 mA
I _{sink/source} peak.....	100 mA
V _{out}	5 V ±5%
C _{out}	10 nF
R _{out} typ.....	55 Ω

Sensor error detection

Programmable.....	0...26250 Hz
-------------------	--------------

Ex / I.S. approval

FM, applicable in.....	Class I, Div. 2, Group A, B, C, D Class I, Div. 2, Group IIC Zone 2
Max. ambient temperature for T5.....	60°C

Observed authority requirements **Standard**

EMC 2014/30/EU.....	EN 61326-1
LVD 2014/35/EU.....	EN 61010-1
FM.....	3600, 3611, 3810 and ISA 82.02.01
UL, Standard for Safety.....	UL 6101-1, 3rd Edition

of span = of the currently selected measurement range

Configuration of sensor error detection

Module:	Configuration	Sensor error detection:
AFCM	OUT.ERR=NO	OFF
	Else:	ON

Display readout on the PGM

Display outside range

Display readout below min. / above max. (-1999, 9999):			
Input	Range	Flashing readout	Limit
All	All	-1999	Display readout < -1999
		9999	Display readout > 9999

Sensor error detection limits

Sensor error detection (SE.BR, SE.SH):			
Input	Range	Readout	Limit
CURR	Loop break (4...20 mA)	SE.BR	<= 3.6 mA; > = 21 mA
POTM	All, SE.BR on all 3-wire	SE.BR	> ca. 126 k Ω
LIN.R	0...800 Ω	SE.BR	> ca. 875 Ω
	0...10 k Ω	SE.BR	> ca. 11 k Ω
TEMP	TC	SE.BR	> ca. 750 k Ω / (1,25 V)
	RTD: 2-, 3- and 4-wire No SE.SH for Pt10, Pt20 and Pt50	SE.BR	> ca. 15 k Ω
		SE.SH	< ca. 15 Ω

Signal conditioning limits

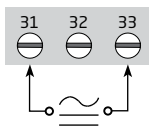
Outside range readout (IN.LO, IN.HI): If the valid range of the A/D converter or the polynomial is exceeded.			
Input	Range	Readout	Limit
VOLT	0...1 V / 0.2...1 V	IN.LO	< -25 mV
		IN.HI	> 1.2 V
	0...2.5 / 0.5...2.5 / 0.5 V / 1...5 V / 0...10 V / 2...10 V	IN.LO	< -25 mV
		IN.HI	> 12 V
CURR	0...20 mA / 4...20 mA	IN.LO	< -1.05 mA
		IN.HI	> 25.05 mA
LIN.R	0...800 Ω	IN.LO	< 0 Ω
		IN.HI	> 1075 Ω
	0...10 k Ω	IN.LO	< 0 Ω
		IN.HI	< 110 k Ω
POTM	Min. readout = 0%, Max. readout = 100%	IN.LO	< -0.5 %
		IN.HI	> 100.5 %
TEMP	TC / RTD	IN.LO	< temperature range -2°C
		IN.HI	> temperature range +2°C

Error indications

Readout at hardware error		
Error search	Readout	Cause
Test of internal CJC sensor	CJ.ER	CJC sensor defect or temperature outside range
Checksum test of the configuration in FLASH	FL.ER	Error in FLASH
Communications test PGM / AFCM	NO.CO	Connection error
Check that input signal matches input configuration	IN.ER	1) Error levels on input
Check that saved configuration in PGM matches module	TY.ER	Configuration is not AFCM
All error indications flash once per second. The help text explains the error.		
1) The error is reset by switching off and then switching on the supply voltage to the module.		

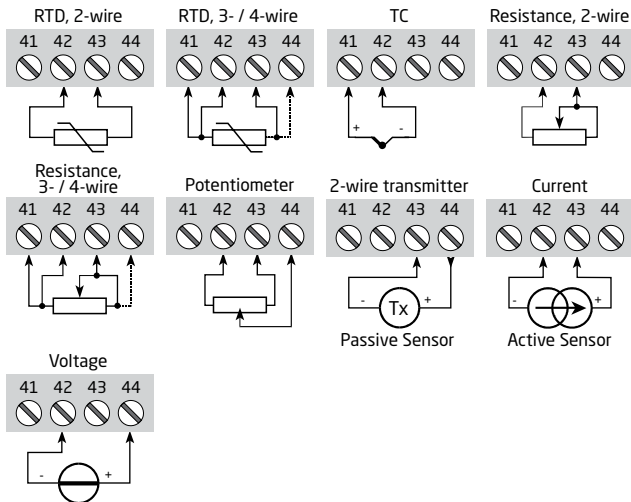
CONNECTIONS

Supply:

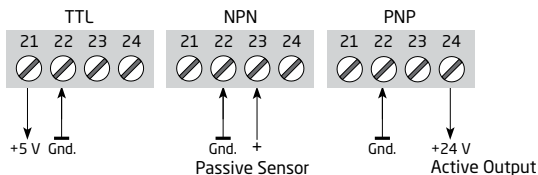


Polarity is reversible.

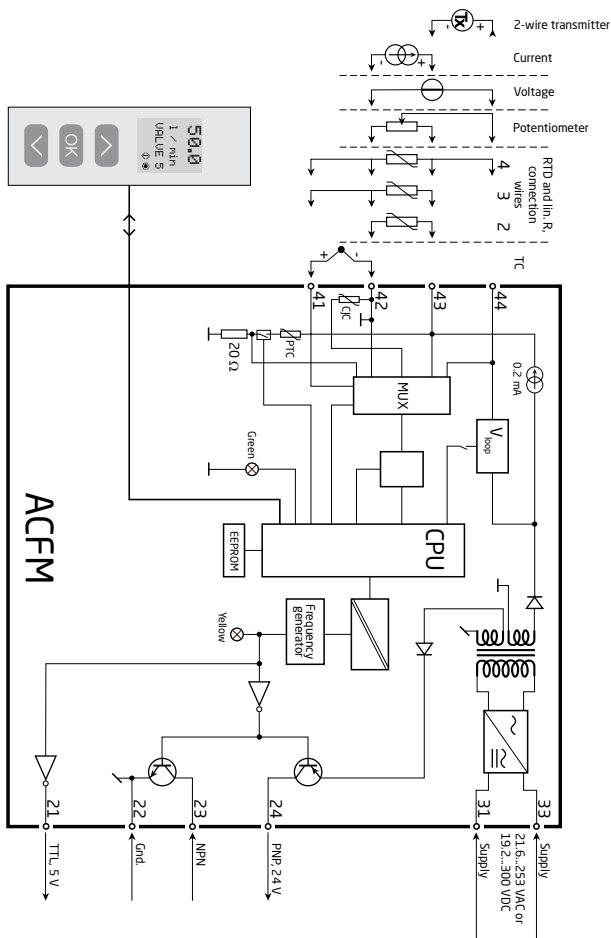
Inputs



Outputs



BLOCK DIAGRAM



CONFIGURATION / OPERATING THE FUNCTION KEYS

Documentation for routing diagram.

In general

When configuring the AFCM, you will be guided through all parameters and you can choose the settings which fit the application. For each menu there is a scrolling help text which is automatically shown in line 3 on the display.

Configuration is carried out by using the 3 function keys:

- ⬆ will increase the numerical value or choose the next parameter
- ⬇ will decrease the numerical value or choose the previous parameter
- OK will save the chosen value and proceed to the next menu

When configuration is completed, the display will return to the default state 1.0. See the reference diagram beginning on page 23.

Pressing and holding OK will return to the previous menu or return to the default state (1.0) without saving the changed values or parameters.

If no key is activated for 1 minute, the display will return to the default state (1.0) without saving the changed values or parameters.

Further explanations

Password protection: Programming access can be blocked by assigning a password. The password is saved in the converter in order to ensure a high degree of protection against unauthorised modifications to the configuration. Default password 2008 allows access to all configuration menus.

Signal and sensor error info via display front PGM

Sensor error (see limits in the table) is displayed as SE.BR (sensor break) or SE.SH (sensor short). Signals outside the selected range (not sensor error, see table for limits) are displayed as IN.LO indicating low input signal or IN.HI indicating high input signal. The error indication is displayed in line 3 as text and at the same time the backlight flashes. Line 4 of the display is a status line which displays COM (flashing bullet) indicating correct functioning of PGM and arrow up/down which indicates tendency readout of the input signal.

Signal and sensor error indication without display front

Status of the unit can also be read from the green LED in the front of the device.

Green flashing LED 13 Hz indicates normal operation.

Green flashing LED 1 Hz indicates sensor error.


Steady green LED indicates internal error.

Advanced functions

The unit gives access to a number of advanced functions which can be reached by answering "Yes" to the point "adv.set".

Display setup: Here you can adjust the brightness contrast and the backlight. Setup of TAG numbers with 6 alphanumeric. Selection of readout in line 3 of the display. This line can either show the digital output or the TAG number.

Two-point process calibration: The unit can be process-calibrated in 2 points to fit a given input signal. A low input signal (not necessarily 0%) is applied and the actual value is entered. Then a high signal (not necessarily 100%) is applied and the actual value is entered. If you accept to use the calibration, the unit will work according to this new adjustment. If you later reject this menu point or choose another type of input signal the unit will return to factory calibration.

Process simulation function: If you say "Yes" to the point "EN.SIM" it is possible to simulate an input signal by means of the arrow keys and thus control the output signal up and down. When you finalise the point with , the unit returns to normal mode.

Password: Here you can choose a password between 0000 and 9999 in order to protect the unit against unauthorised modifications to the configuration. The unit is delivered default without password. If you have locked the unit with a password by mistake, you can always open the menu by using the master password 2008.

Language: In the menu "lang.setup" you can choose between 7 different language versions of help texts that will appear in the menu. You can choose between UK, DE, FR, IT, ES, SE and DK.

Auto diagnosis

The unit performs an advanced auto diagnosis of the internal circuits.

The following possible errors can be displayed in the front unit PGMMOD00.

CJ.ER - CJC sensor defect or CJC temperature outside range

FL.ER - Flash error

NO.CO - Connection error

IN.ER - Error levels on input

TY.ER - Configuration in PGM does not match this product type

Selection of units

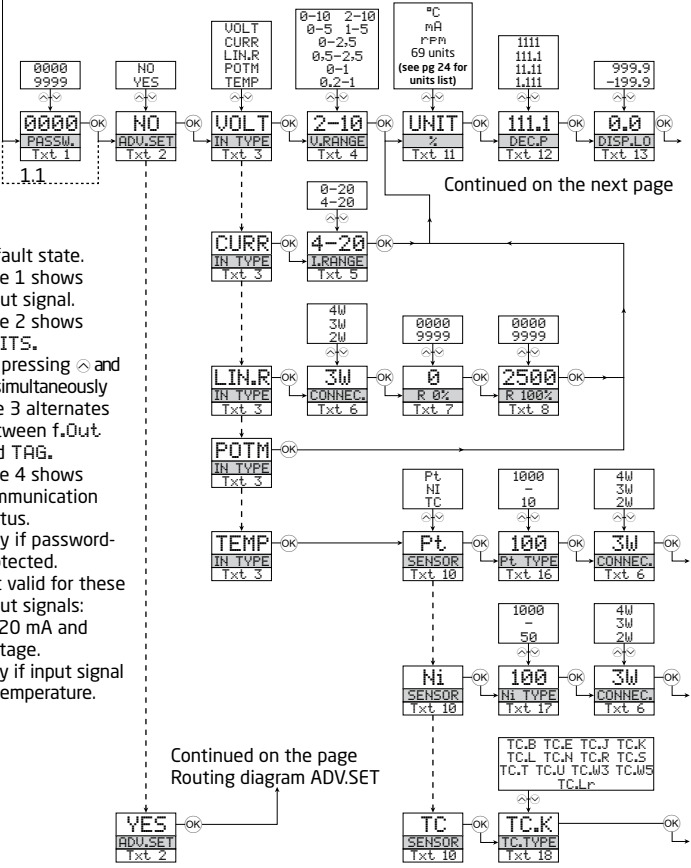
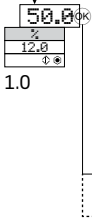
After choosing the input signal type you can choose the process units which will be shown in the display (see table). By selection of temperature input the process value is always displayed in Celsius or Fahrenheit. This is selected in the menu point after selection of temperature input.

Power up

ROUTING DIAGRAM

If no key is activated for 1 minute, the display will return to the default state 1.0 without saving configuration changes.

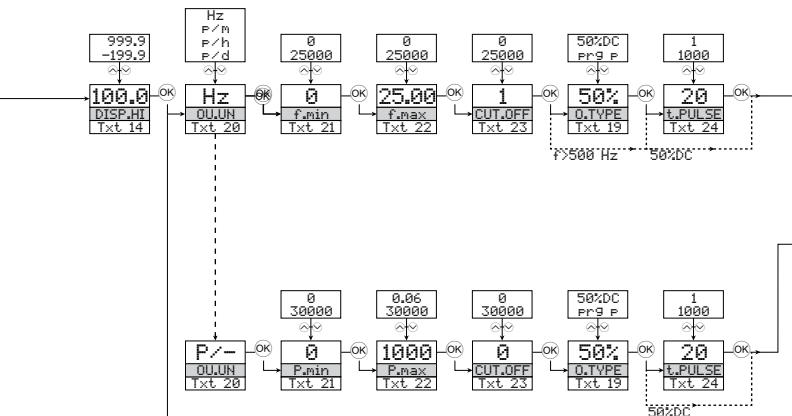
- ⊕ Increase value / choose next parameter
- ⊖ Decrease value / choose previous parameter
- ⊙ Save the chosen value and proceed to the next menu
- ⊙ Hold ⊙ Back to previous menu / return to menu 1.0 without saving



Continued on the next page

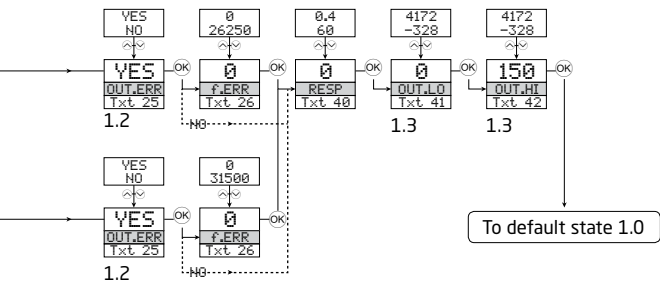
Continued on the page Routing diagram ADV.SET

- 1.0 = Default state. Line 1 shows input signal. Line 2 shows UNITS. By pressing ⊕ and ⊖ simultaneously line 3 alternates between f.Out. and TAG. Line 4 shows communication status.
- 1.1 = Only if password-protected.
- 1.2 = Not valid for these input signals: 0...20 mA and voltage.
- 1.3 = Only if input signal is temperature.



Selectable UNITS:

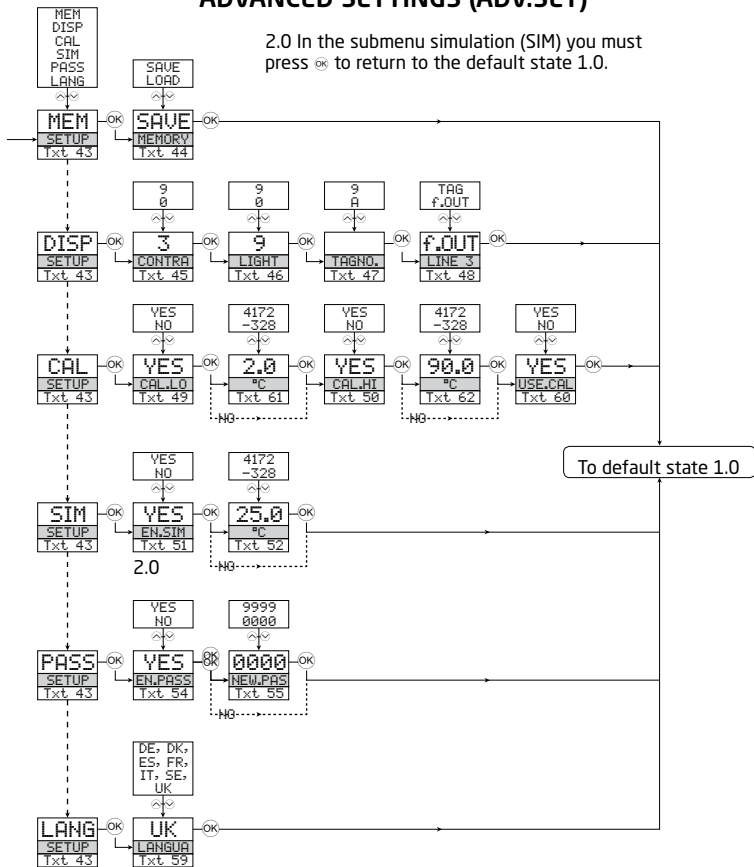
°C	hPa	kWh	mils	Pa
°F	Hz	L	min	PH
°C	in	L/h	mm	rpm
A	in/h	L/min	mm/s	s
bar	in/min	L/s	mm/s ²	S
cm	in/s	m	mol	t
ft	Ips	m/h	MPa	t/h
ft/h	K	m/min	mV	uA
ft/min	kA	m/s	MW	um
ft/s	kg	m/s ²	MWh	uS
g	kHz	m ³	N	V
gal/h	kJ	m ³ /h	Ohm	W
gal/min	kPa	m ³ /min	P/day	Wh
GW	kV	mbar	P/h	yd
hp	kW		P/min	[blank]



- 1.2 = Not valid for these input signals:
0...20 mA and voltage.
- 1.3 = Only if input signal is temperature.

ROUTING DIAGRAM ADVANCED SETTINGS (ADV.SET)

2.0 In the submenu simulation (SIM) you must press **OK** to return to the default state 1.0.



SCROLLING HELP TEXT IN DISPLAY LINE 3

- [01] Set correct password
- [02] Enter advanced setup menu?
- [03] Select temperature input
 - Select potentiometer input
 - Select linear resistance input
 - Select current input
 - Select voltage input
- [04] Select 0.0-1 V input range
 - Select 0.2-1 V input range
 - Select 0-2.5 V input range
 - Select 0.5-2.5 V input range
 - Select 0-5 V input range
 - Select 1-5 V input range
 - Select 0-10 V input range
 - Select 2-10 V input range
- [05] Select 0-20 mA input range
 - Select 4-20 mA input range
- [06] Select 2-wire sensor connection
 - Select 3-wire sensor connection
 - Select 4-wire sensor connection
- [07] Set 0% resistance value
- [08] Set 100% resistance value
- [09] Select Celsius as temperature unit
 - Select Fahrenheit as temperature unit
- [10] Select TC sensor type
 - Select Ni sensor type
 - Select Pt sensor type
- [11] Select display unit
- [12] Select decimal point position
- [13] Set display readout low
- [14] Set display readout high
- [16] Select Pt10 as sensor type
 - Select Pt20 as sensor type
 - Select Pt50 as sensor type
 - Select Pt100 as sensor type
 - Select Pt200 as sensor type
 - Select Pt250 as sensor type
 - Select Pt300 as sensor type
 - Select Pt400 as sensor type
 - Select Pt500 as sensor type
 - Select Pt1000 as sensor type
- [17] Select Ni50 as sensor type
 - Select Ni100 as sensor type
 - Select Ni120 as sensor type
 - Select Ni1000 as sensor type
- [18] Select TC-B as sensor type
 - Select TC-E as sensor type
 - Select TC-J as sensor type
 - Select TC-K as sensor type
 - Select TC-L as sensor type
 - Select TC-N as sensor type
 - Select TC-R as sensor type
 - Select TC-S as sensor type
 - Select TC-T as sensor type
 - Select TC-U as sensor type
 - Select TC-W3 as sensor type
 - Select TC-W5 as sensor type
 - Select TC-Lr as sensor type
- [19] Select 50% duty cycle output
 - Select programmable pulse time
- [20] Select Hz as output unit
 - Select pulses/minute as output unit
 - Select pulses/hour as output unit
 - Select pulses/day as output unit
- [21] Set output frequency for 0% input
- [22] Set output frequency for 100% input
- [23] Set low cut-off frequency
- [24] Set pulse time in milliseconds
- [25] Select no error action - output undefined at error
 - Select output at specific frequency on input error
- [26] Set output frequency on input error
- [40] Set response time in seconds
- [41] Set temperature for frequency output low
- [42] Set temperature for frequency output high
- [43] Enter language setup
 - Enter password setup
 - Enter simulation mode
 - Perform process calibration
 - Enter display setup
 - Perform memory operations
- [44] Load saved configuration into module
 - Save configuration in display front
- [45] Adjust LCD contrast
- [46] Adjust LCD backlight
- [47] Write a 6-character device TAG
- [48] Output frequency is shown in display line 3
 - Device TAG is shown in display line 3
- [49] Calibrate input low to process value?
- [50] Calibrate input high to process value?
- [51] Enter simulation mode?
- [52] Simulate input value
- [54] Enable password protection?
- [55] Set new password
- [59] Select language
- [60] Use process calibration values?
- [61] Set value for low calibration point
- [62] Set value for high calibration point

Ordering information

DESCRIPTION	PART NUMBER
Analog to Freq. Converter	AFCM0000
Programming Module	PGMMOD00
Program/Comms Module	PGMMODC1